

NOTES:

1. FOR DETAILED ASSEMBLY SEE WORK INSTRUCTION 94065201CWI
2. SCC/ID LABEL (ITEM 40) TO BE PLACED ON INDIVIDUAL CARTON

05	—	#	—	—	DRAWN: 06/14/17	BY: CR	This drawing is the proprietary and confidential property of Schumacher Electric Corporation. Dissemination of this document or the information contained herein is prohibited without the express permission of the Director of Engineering. Use of this document by any supplier or distributor is expressly limited to the use authorized by Schumacher Electric Corporation in providing it to you.
04	—	#	—	—	CHECKED: 09/04/17	BY: MBM	
03	—	#	—	—	APPROVED: 09/04/17	BY: RGC	
02	—	#	—	—	SCALE: 1:2	SIZE: B	
01	—	#	—	—	ALL DIMENSIONS IN INCH(MM) UNLESS OTHERWISE SPECIFIED		
00	INITIAL RELEASE	9888	09/04/17	CR	TOLERANCES .XXX ±.004[0.10] .XX ±0.01[0.3] .X ±0.1[2.5] FRACTIONAL ±1/64 ANGULAR ±5MIN		THIRD ANGLE PROJECTION
NO.	REVISION	ECN	DATE	SIG.			

**PBI201 12/24V PREMIUM BOOSTER CS2B PL C**

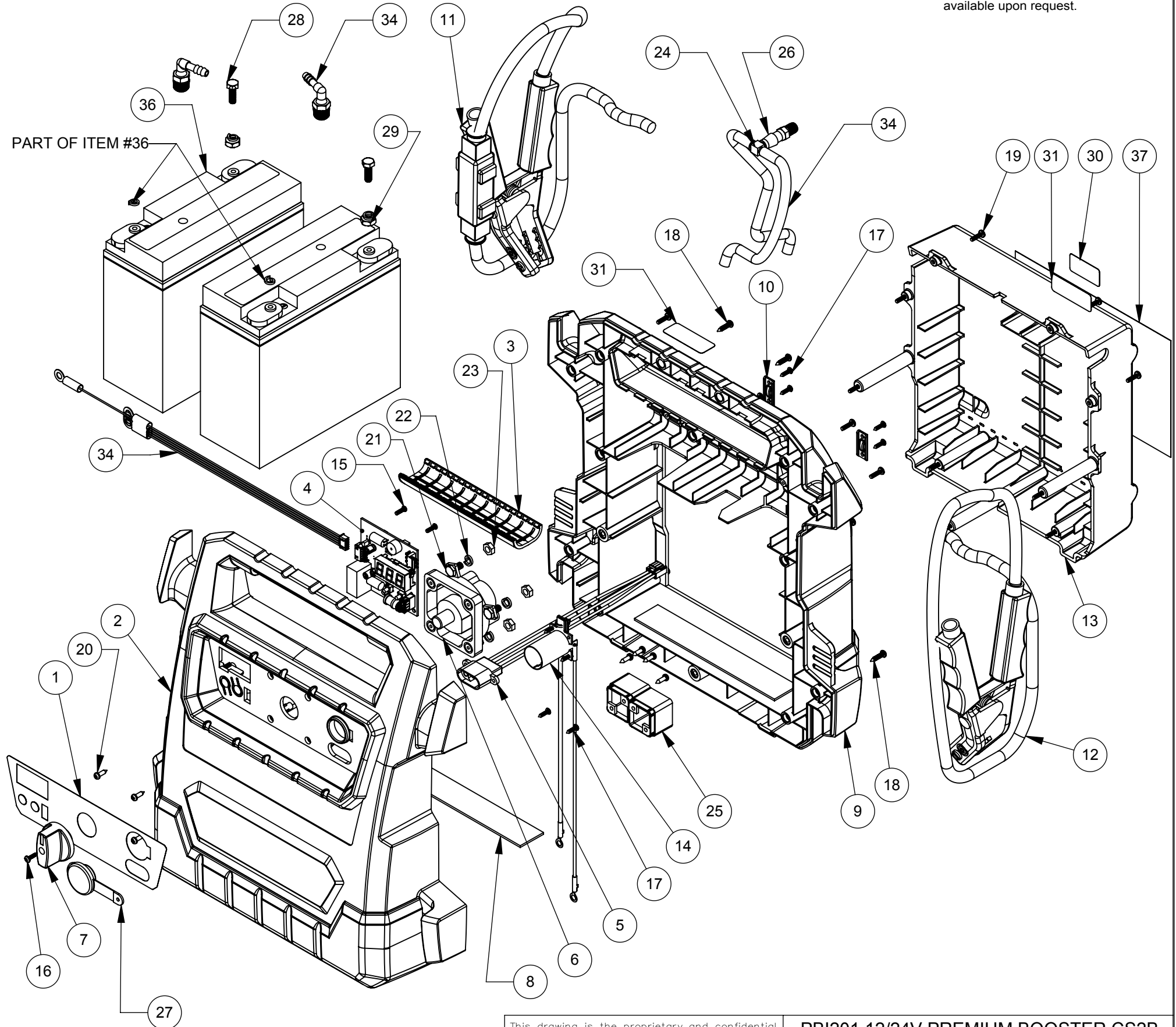
PART NUMBER:  
**94065201C**

**SOLIDWORKS SH 1 OF 2**

801 BUSINESS CENTER DRIVE  
MT. PROSPECT, ILLINOIS 60056

Must be RoHS 2011/65/EU compliant.  
 Certification of compliance must be  
 available upon request.

ITEM NO.	PART NUMBER	DESCRIPTION	QTY.
1	0899009610	LABEL FACEPLATE UPPER PBI0175C	1
2	3699002361	CASE FRONT BLACK PBI201 CS2B	1
3	3699002228	CASE HANDLE INSERT CJP400/550/700/850	1
4	2299003019	ASSY PCB CONTROL BD PJI175 CS2B	1
5	3899003727	PLUG SAE STYLE 3 PIN WITH HOUSING	1
6	0499000091	SWITCH 12V/OFF/24V	1
7	4999000041	SWITCH KNOB USED IN PSJ4424 JD4424	1
8	2699000074	TAPE 180X30X2MM BLACK	2
9	3699002297	CASE BACK BLACK PBI0175 CS2B	1
10	4999000245	STRAP STRAIN RELIEF 4GA EEJP	2
11	3899003776	CABLE W/FUSE 2GA RED 75IN CLAMP T915	1
12	3899003728	CABLE 2GA BLACK 76IN CLAMP T915	1
13	3699002362	CASE COVER BLACK PBI201 CS2B	1
14	2299002231	ASSY DC ADAPTER W/ FIBRE BOARD	1
15	5199000670	SCREW M3x10 PH PHTF TYPE B SNP	2
16	5199001122	SCREW M3x12 PH PHST SBLX	1
17	5199000416	SCREW M3x11 PH PHST SZP	6
18	5199001030	SCREW M4x16 PH PHST SZP	4
19	5199001020	SCREW M4x25 PH PHST SZP	18
20	5199001081	SCREW M3.5x12 PH RHST SBLX	8
21	5199001050	SCREW M6x12 HHMS SZP	4
22	5299000020	WASHER SPRING 9.5X6.2X1.9MM	6
23	5299000022	NUT, M6.0, ZINC PLATE	4
24	0699000960	CONNECTOR BARBED T PA66 NATURAL	1
25	4999001311	SUPPORT BATTERY PBI175 & 338992 BERNER	2
26	0699000961R	FITTING PORT PA66 NATURAL (REWORKED)	1
27	4999000208	COVER DC SOCKET PVC BLACK	1
28	5199009270	BOLT M6x18 HHMS ZP	2
29	5299000105	HEX NUT 5/16"BRASS	2
30	0899009844	LABEL RATING PJI199 & PBI201	1
31	0899009770	LABEL TAMPER PROOF WARR. VOID IF REMOVED	2
32	3899002600	JMP 4GA BLK 7.5IN 913/913	3
33	6294065201C	JUMPER KIT PBI201	1
34	3899003677	JUMPER 2GA BLK 15IN 915/915	1
35	0000000144	CABLE TIE 4IN BLK TYTON CABLE #T18R	2
36	5799000051	BATT 22AH 12V-900CA SHR24-12S BB	2
37	0899009611	LABEL WARNING PBI201 & 338992 BERNER	1
NOT SHOWN ON THIS DOCUMENT			
38	0099001845	MANUAL OWNERS PBI200/201	1
39	9607000769	TEST PROCEDURE PJI174/175	1
40	9614001111	SPEC TO PRINT LABEL SCC & ID PBI201	1
41	3499102395	PALLET 800mm x 1200mm PLASTIC EURO 2	0.0833
42	3400200048	PAD 40" X 44"	0.2500
43	3499103894	CARTON INDIVIDUAL PJI175 & 338992 BERNER	1
44	3499103896	CARTON INSERT TOP PJI175 & 338992 BERNER	1
45	9614001100	SPEC TO PRINT DATE CODE SN & ID LABEL	2
46	2299003058CZ	SPI2CS 12V CHARGER PLUG C PBI ACCESSORY	1
47	4999001308	BAG POLY CLEAR 14 X 22 IN OPEN END	1
48	0899002230	LABEL TRANSPARENT 1.250 INCH DIAMETER	1
49	0000000657	PLASTIC WRAP, 20" X 5500' X 80 GA.	0.0037
50	2601133908	TAPE IPG 51597 x 0.5 IN	0.0046



This drawing is the proprietary and confidential property of Schumacher Electric Corporation. Dissemination of this document or the information contained herein is prohibited without the express permission of the Director of Engineering. Use of this document by any supplier or distributor is expressly limited to the use authorized by Schumacher Electric Corporation in providing it to you.

**PBI201 12/24V PREMIUM BOOSTER CS2B PL C**

801 BUSINESS CENTER DRIVE  
 MT. PROSPECT, ILLINOIS 60056

SOLIDWORKS SH 2 OF 2

PART NUMBER: **94065201C**

REV: **00**